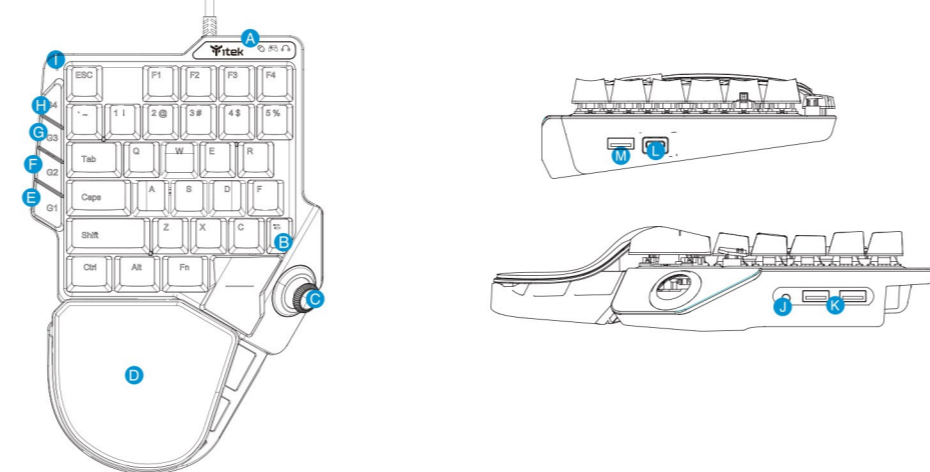


itek Manual



Keyboard Layout



- 1 Connection status indicator light
- 2 Turbo
- 3 Joystick
- 4 Detachable and slidable palmrest
- 5 Macro Key G1
- 6 Macro Key G2
- 7 Macro Key G3
- 8 Macro Key G4
- 9 Turbo Indicator
- 10 3.5mm headphone jack
- 11 USB Port
- 12 Type-C port
- 13 USB Port(For gamepad)

Specification:

- Light strike optical switch keys at a 1.0mm travel distance bring highest speed and precision.
- 36 Full anti-ghosting keys : SEC, F1, F2, F3, F4, ~, 1, 2, 3, 4, 5, Tab, Q, W, E, R, Caps, A, S, D, F, Shift, Z, X, C, turbo, Ctrl, Alt, Fn, Space, Joystick, L3(Joystick Press), G1, G2, G3, G4
- With 3.5mm Headphone Jack , support team talk.
- 5 different backlight modes.
- Customized keyboard, support 4 groups macro setting,one group maximum set 16 keys.
- Pluggable 3M braided fiber cable.
- Ergonomic form factor with adjustable palm rest.
- Record into last default setting except in PC (Marcos /Turbo/Light setting)
- Support Turbo function except in PC.

LED light Indicators

- Hold FN and then press Tab for 5 group backlight mode exchange.
- Controller indicator keeps on when original controller lead successfully
- Mouse indicator keeps on when mouse connected successfully
- Headphone indicator keeps on when headphone connected successfully
- Turbo indicator light flash means working button turbo function

Multimedia

- Volume Down : Hold FN and press F1 , one time for one level
- Volume Up : Hold FN and press F2 ,one time for one level

Macro G1-G4 Setting:

- Macro set multiple keyboard & mouse buttons into a single key (G1, G2, G3, G4 key). For example you can set :
 - * UP, UP, DOWN, LEFT, RIGHT, X, O to execute by press the G1 key on the keyboard. You can create up to 4 groups Custom macros and the macro can have up to 16 keys (Except Turbo , FN, joystick,mouse key)
- a. Hold FN and press G1 to enter Macro mode, keyboard backlight keep off.
- b. Press action keys on keyboard,each keys interval time will record.After setting, the backlight of action keys keeps on.
- c. Hold FN and press G1 to save and exit Macro mode.
- d. Press G1 to active Marco setting.

Buttons Support Macro:

ESC/F1/F2/F3/F4/~1/2/3/4/5/Tab/Q/W/E/R/Caps/A/S/D/F/Shift/Z/X/C/trl/Alt/Space

Different Group keys backlit :

- 1.FN-G1 Keys backlit Red Colour
- 2.FN-G2 Keys backlit Yellow Colour
- 3.FN-G3 Keys backlit Green Colour
- 4.FN-G4 Keys backlit Blue Colour

Exit Macro Setting Mode(Here use G1 key as example)

- 1.After keys setted press FN-G1 to exit
- 2.When G1 button full setted 16 keys and will exit macro mode
- 3.Under Macro Setting mode,without keys action after 4 minutes , it will exit macro mode PS:
- .Clear Macro setting, hold FN and press G1 to enter macro mode, all keys will light off, except the keys setted before on red backlit light, then Long press G1 key for 5 seconds to clear , then hold FN and press G1 to save and exit current mode
- .If the G1 button has setted ,press FN-G1 step into Macro mode, press the new keys which you need set, and the old setted keys backlit will off, and clear off the old setting
- .Same macro setting method for G2, G3, G4.
- .Macro setting can not be saved when you pull out in PC
- .Macro setting is only available for current console platform, if on other platform, also need macro function, need reset on other platform.

Turbo Setting

Turbo function is used more in shooting games. Your fingers could easily get tired if you continuously press the same button. By setting Turbo function, you can shoot by holding the shooting button.

Buttons Support Turbo: F1/1/2/3/Q/E/R/F/C/Space/Shift/Mouse left key/Mouse middle key/Mouse right key

Setting Method

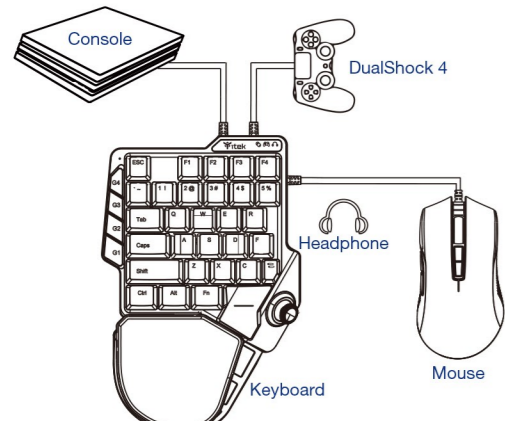
- . Hold FN and press Turbo to enter setting mode, keyboard backlight keep off.
- . Press Action key in keyboard or mouse(except G1, G2, G3, G4, FN, Joystick), the action key red backlit keeps on.
- . Hold FN and press Turbo to save and exit Turbo mode.
- . Press Turbo Key to enter Turbo mode, the Turbo indicator LED keeps on.
- . Hold action key setted to start Turbo, the Turbo indicator LED keep flash.

PS: .Clear Turbo setting, hold FN and press Turbo to enter Turbo mode, all keys will light off, except the keys setted before on red backlit light , and then Long press Turbo key for 5 seconds to clear , then hold FN and press Turbo to save and exit current mode.
 .Clear Turbo setting, hold FN and press Turbo to enter Turbo mode, all keys will light off, except the keys setted before on red backlit light,press new key to set Turbo and backlit keeps on, and the old setted keys all backlit off ,it means the old setting is clear, and then hold FN and press Turbo to save and exit current mode.
 . Turbo setting is only available for current console platform, if on other platform, need Turbo function, need reset on other platform.
 . No Turbo function in PC

CONNECTION

Connect to PS4/PS4 Slim/PS4 Pro

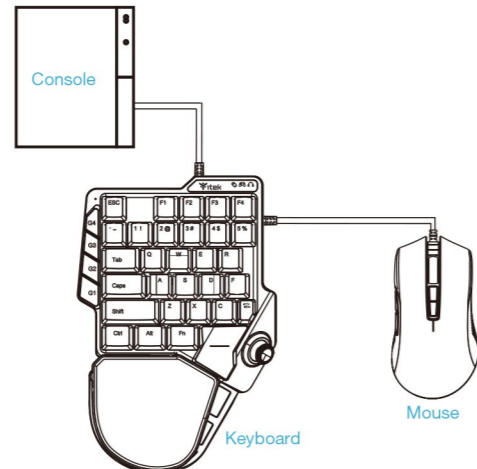
- a. Power on PS4 console.
- b. Plug PS4 original controller into keyboard usb port (For gamepad). Please ensure the controller is powered off.
- c. Plug mouse & headphone into keyboard.
- d. Plug keyboard into PS4/PS4 Slim/PS4 Pro through 3M Type-C cable. The indicator lights of gaming mouse & gamepad & headphone will stay on.



Connect to PS3

- a. Power on PS3 console.
- b. Plug mouse into keyboard.
- c. Plug mouse into keyboard. And then Plug keyboard into PS3 through 3M Type-C cable. The indicator lights of gaming mouse will stay on.
- d. Press ESC of keyboard simultaneously to connect to PS3

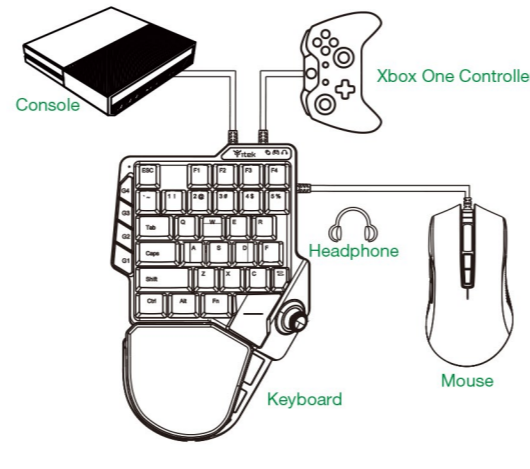
PS: Headphone jack is not working in PS3.



Connect to XBOXONE/ XBOXONE S/XBOXONE X Console

- a. Power on Xbox one console.
- b. Plug Xbox One original controller into keyboard usb port (For gamepad). Please ensure the controller is powered off.
- c. Plug mouse & headphone into keyboard.
- d. Plug keyboard into Xbox One/Xbox One S/Xbox One X through 3M Type-C cable. The indicator lights of gaming mouse & gamepad & headphone will stay on.

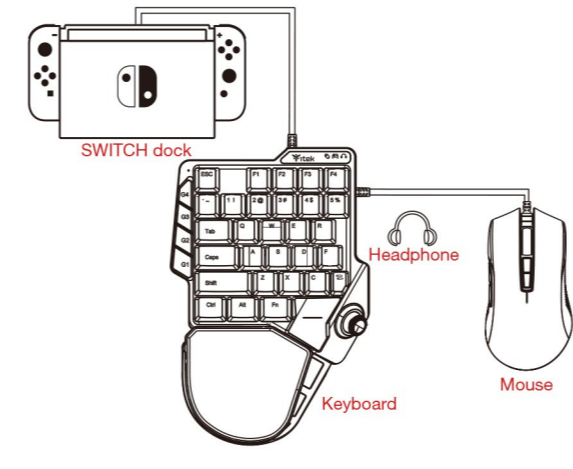
Notice : Please ensure that the original controller USB cable in use is the Charging and Data Sync Cable. The USB cable which only has a charging function is not supported with this device.



Connect to Switch Console

- a. Power on Switch console.
- b. Plug mouse & headphone into keyboard.
- c. Plug keyboard into Nintendo Switch through 3M Type-C cable. The indicator lights of gaming mouse & headphone will stay on.
- d. Press Space of keyboard simultaneously to connect to Nintendo Switch.

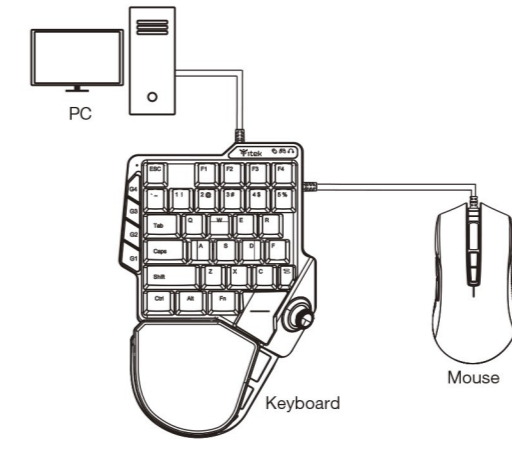
PS: Under Switch Mode, must open the Wire Connection in Switch Console setting



Connect to PC

- Plug keyboard into PC through 3M Type-C cable, the indicator light of logo part keep on.
- Plug mouse into keyboard USB port, the mouse indicator light keep on.
- Then could you use it works on PC.

PS: Headphone jack is not working in PC.



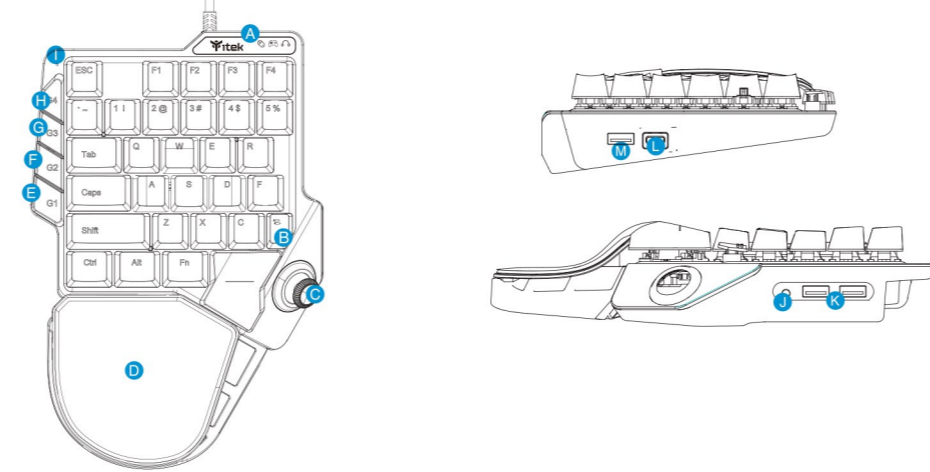
Keypad:

Keyboard Button	Nintendo Switch	PS3	PS4	Xbox one	PC
F1	Open UP	Open UP	Open UP	Open UP	F1
1	Open LEFT	Open LEFT	Open LEFT	Open LEFT	1
2	Open DOWN	Open DOWN	Open DOWN	Open DOWN	2
3	Open RIGHT	Open RIGHT	Open RIGHT	Open RIGHT	3
W	Joystick UP	Joystick UP	Joystick UP	Joystick UP	W
A	Joystick LEFT	Joystick LEFT	Joystick LEFT	Joystick LEFT	A
D	Joystick RIGHT	Joystick RIGHT	Joystick RIGHT	Joystick RIGHT	D
S	Joystick DOWN	Joystick DOWN	Joystick DOWN	Joystick DOWN	S
Joystick UP	Joystick UP	Joystick UP	Joystick UP	Joystick UP	W
Joystick LEFT	Joystick LEFT	Joystick LEFT	Joystick LEFT	Joystick LEFT	A
Joystick RIGHT	Joystick RIGHT	Joystick RIGHT	Joystick RIGHT	Joystick RIGHT	D
Joystick DOWN	Joystick DOWN	Joystick DOWN	Joystick DOWN	Joystick DOWN	S
L3	L3	L3	L3	L3	Shift
F	X	□	□	X	F
SPACE	A	×	×	A	Space
C	B	O	O	B	C
R	Y	△	△	Y	R
Mouse Middle Button	R3	R3	R3	R3	Mouse Middle Button
E	R1	R1	R1	R1	E
Mouse Left Button	ZR	R2	R2	R2	Mouse Left Button
Tab	-	Select	Options	□	Tab
Caps +	+	Start	Touchpad	■	Caps
-	Capture	W/O	Share	W/O	-
Shift	L3	L3	L3	L3	Shift
Q	L1	L1	L1	L1	Q
Mouse Right Button	ZL	L2	L2	LT	Mouse Right Button
Esc	HOME	PS	PS	HOME	Esc

itek Manuale



Layout della tastiera



- 1 Indicatori luminosi di stato
- 2 Turbo
- 3 Joystick
- 4 Poggiatesta staccabile e scorrevole
- 5 Tasti Macro G1
- 6 Tasti Macro G2
- 7 Tasti Macro G3
- 8 Tasti Macro G4
- 9 Indicatore Turbo
- 10 Jack per cuffie da 3,5 mm
- 11 Porta USB
- 12 Porta Type-C.
- 13 Porta USB (per gamepad)

Specification:

- Light strike optical switch keys at a 1.0mm travel distance bring highest speed and precision.
- 36 Full anti-ghosting keys : SEC, F1, F2, F3, F4, ~, 1, 2, 3, 4, 5, Tab, Q, W, E, R, Caps, A, S, D, F, Shift, Z, X, C, turbo, Ctrl, Alt, Fn, Space, Joystick, L3(Joystick Press), G1, G2, G3, G4
- With 3.5mm Headphone Jack , support team talk.
- 5 different backlight modes.
- Customized keyboard, support 4 groups macro setting,one group maximum set 16 keys.
- Pluggable 3M braided fiber cable.
- Ergonomic form factor with adjustable palm rest.
- Record into last default setting except in PC (Marcos /Turbo/Light setting)
- Support Turbo function except in PC.

LED light Indicators

- Hold FN and then press Tab for 5 group backlight mode exchange.
- Controller indicator keeps on when original controller lead successfully
- Mouse indicator keeps on when mouse connected successfully
- Headphone indicator keeps on when headphone connected successfully
- Turbo indicator light flash means working button turbo function

Multimedia

- Volume Down : Hold FN and press F1 , one time for one level
- Volume Up : Hold FN and press F2 ,one time for one level

Macro G1-G4 Setting:

- Macro set multiple keyboard & mouse buttons into a single key (G1, G2, G3, G4 key). For example you can set :
 - * UP, UP, DOWN, LEFT, RIGHT, X, C to execute by press the G1 key on the keyboard. You can create up to 4 groups Custom macros and the macro can have up to 16 keys (Except Turbo , FN, joystick,mouse key)
- a. Hold FN and press G1 to enter Macro mode, keyboard backlight keep off.
- b. Press action keys on keyboard,each keys interval time will record.After setting, the backlight of action keys keeps on.
- c. Hold FN and press G1 to save and exit Macro mode.
- d. Press G1 to active Marco setting.

Pulsanti che supportano la funzione Macro:

ESC/F1/F2/F3/F4/~1/2/3/4/5/Tab/Q/W/E/R/Caps/A/S/D/F/Shift/Z/X/C/trl/Alt/Space

Differenti gruppi di tasti retroilluminati

- 1.FN-G1 Keys backlit Red Colour
- 2.FN-G2 Keys backlit Yellow Colour
- 3.FN-G3 Keys backlit Green Colour
- 4.FN-G4 Keys backlit Blue Colour

Exit Macro Setting Mode(Here use G1 key as example)

- 1.After keys setted press FN-G1 to exit
- 2.When G1 button full setted 16 keys and will exit macro mode
- 3.Under Macro Setting mode,without keys action after 4 minutes , it will exit macro mode PS:
- .Clear Macro setting, hold FN and press G1 to enter macro mode, all keys will light off, except the keys setted before on red backlit light, then Long press G1 key for 5 seconds to clear , then hold FN and press G1 to save and exit current mode
- .If the G1 button has setted ,press FN-G1 step into Macro mode, press the new keys which you need set, and the old setted keys backlit will off, and clear off the old setting
- .Same macro setting method for G2, G3, G4.
- .Macro setting can not be saved when you pull out in PC
- .Macro setting is only available for current console platform, if on other platform, also need macro function, need reset on other platform.

Impostazione Funzione Turbo

La funzione Turbo viene utilizzata di più negli shooting games. Le dita potrebbero stancarsi facilmente se si preme continuamente lo stesso pulsante. Impostando la funzione Turbo, è possibile sparare tenendo premuto il pulsante di shooting.

Supporto pulsanti Turbo: F1 / 1/2/3 / Q / E / R / F / C / Spazio / Mouse / Tasto sinistro del mouse / Tasto centrale del mouse / Tasto destro del mouse

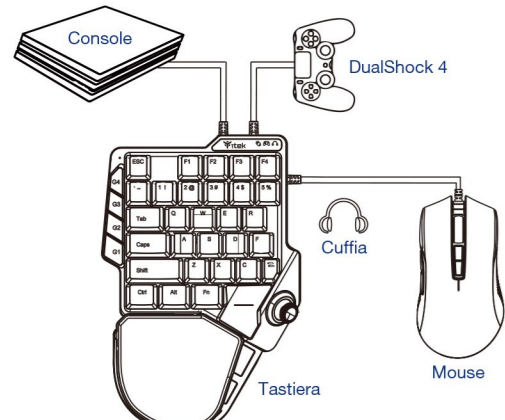
Impostazione

- . Tenere premuto FN e premere Turbo per accedere alla modalità impostazione, la retroilluminazione rimarrà spenta
 - . Premere il Tasto Azione sulla tastiera o sul mouse (tranne G1, G2, G3, G4, FN, Joystick), il tasto azione retroilluminato rosso rimane acceso.
 - . Tenere premuto FN e premere Turbo per salvare e uscire dalla modalità Turbo.
 - . Premere il Tasto Turbo per accedere alla modalità Turbo, l'indicatore a LED Turbo rimane acceso.
 - . Tenere premuto il tasto azione impostato per avviare la funzione Turbo, l'indicatore a LED Turbo inizierà a lampeggiare.
- PS:**
- .Cancellare l'impostazione Turbo: tieni premuto FN e premi Turbo per accedere alla modalità Turbo, tutti i tasti si spengono tranne i tasti della retroilluminazione rossa impostati in precedenza. Successivamente preme a lungo il tasto Turbo per 5 secondi per cancellare, quindi tenere premuto FN e Turbo per salvare e uscire dalla modalità corrente.
 - .Attivare l'impostare Turbo: tenere premuto FN e premere Turbo per accedere alla modalità Turbo, tutti i tasti si spengono tranne i tasti della retroilluminazione rossa impostati in precedenza. Premere il nuovo tasto per avviare l'impostazione Turbo, la nuova retroilluminazione si attiva e sostituisce la precedente retroilluminazione. Successivamente tieni premuto FN e premi Turbo per salvare e uscire dalla modalità corrente.
 - .L'impostazione Turbo è disponibile solo per l'attuale piattaforma console. Se la funzione Turbo è necessaria su un'altra piattaforma, bisogna reimpostarla.
 - . La funzione Turbo non è applicabile nel PC

CONNESSIONE

Collegamento con PS4 / PS4 Slim / PS4 Pro

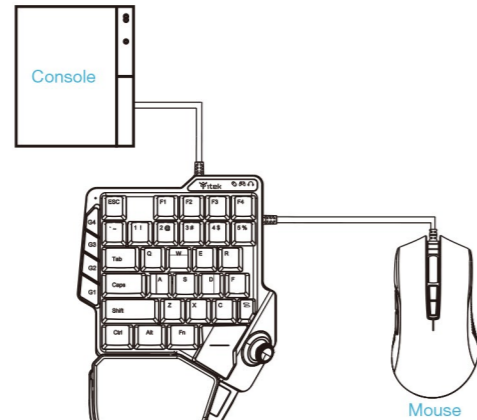
- a. Accendere la console PS4.
- b. Collegare il controller originale PS4 alla porta USB della tastiera (per gamepad). Assicurarsi che il controller sia spento.
- c. Collegare mouse e cuffia alla tastiera.
- d. Collega re la tastiera alla PS4 / PS4 Slim / PS4 Pro tramite cavo 3M Type-C . Le spie luminose del gaming mouse, del gamepad e della cuffia rimarranno accese.



Collegamento con PS3

- a. Accendere la console Xbox One.
- b. Collegare il controller originale Xbox One alla porta USB della tastiera (per gamepad). Assicurarsi che il controller sia spento.
- c. Collegare mouse e cuffia alla tastiera.
- d. Collegare la tastiera alla console Xbox One / Xbox One S / Xbox One X tramite il cavo 3M Type-C. Le spie del gaming mouse, del gamepad e della cuffia rimarranno accese.

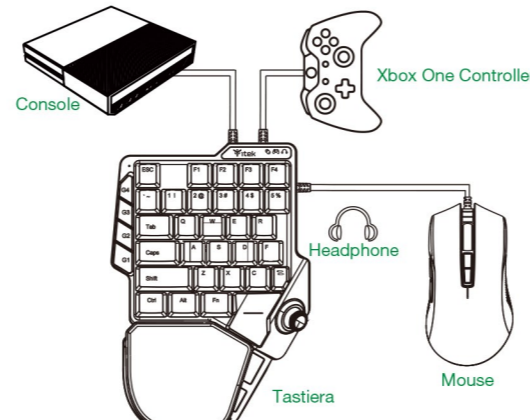
PS: il jack per le cuffie non funziona su PS3.



Collegamento alla console XBOX ONE / XBOX ONE S / XBOX ONE X.

- a. Accendere la console Xbox One.
- b. Collegare il controller originale Xbox One alla porta USB della tastiera (per gamepad). Assicurarsi che il controller sia spento.
- c. Collegare mouse e cuffia alla tastiera.
- d. Collegare la tastiera alla console Xbox One / Xbox One S / Xbox One X tramite il cavo 3M Type-C. Le spie del gaming mouse, del gamepad e della cuffia rimarranno accese.

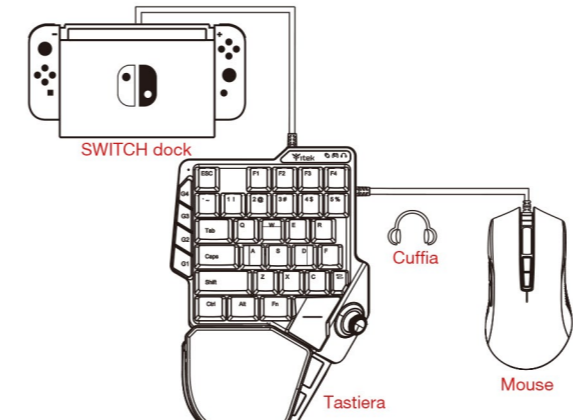
Avviso: assicurarsi che il cavo originale del controller USB che si sta utilizzando sia effettivamente il cavo di ricarica e sincronizzazione dati. Un cavo USB che ha solo la funzione di ricarica non è supportato da questo dispositivo.



Collegamento alla Console Switch

- a. Accendere la console Switch
- b. Collegare mouse e cuffia alla tastiera.
- c. Collega la tastiera alla Nintendo Switch tramite il cavo 3M Type-C. Le spie luminose del gaming mouse e della cuffia rimarranno accese.
- d. Premere e tenere premuto lo spazio della tastiera per connettersi alla Nintendo Switch.

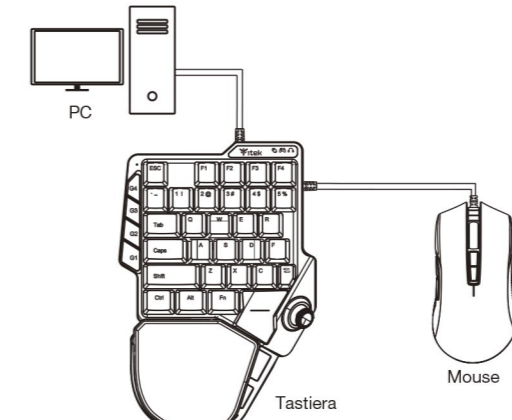
PS: In modalità Switch, è necessario stabilire una Connessione cablata per l'impostazione della Switch Console



Collegamento al PC

- Collegare la tastiera al PC tramite il cavo 3M Type-C, la spia luminosa del logo si accenderà.
- Collegare il mouse alla porta USB della tastiera, la spia luminosa del mouse si accenderà.
- Quindi adesso è possibile usarlo su PC.

PS: il jack per cuffie non funziona con il PC.



Tasti della Tastiera:

Keyboard Button	Nintendo Switch	PS3	PS4	Xbox one	PC
F1	Open UP	Open UP	Open UP	Open UP	F1
1	Open LEFT	Open LEFT	Open LEFT	Open LEFT	1
2	Open DOWN	Open DOWN	Open DOWN	Open DOWN	2
3	Open RIGHT	Open RIGHT	Open RIGHT	Open RIGHT	3
W	Joystick UP	Joystick UP	Joystick UP	Joystick UP	W
A	Joystick LEFT	Joystick LEFT	Joystick LEFT	Joystick LEFT	A
D	Joystick RIGHT	Joystick RIGHT	Joystick RIGHT	Joystick RIGHT	D
S	Joystick DOWN	Joystick DOWN	Joystick DOWN	Joystick DOWN	S
Joystick UP	Joystick UP	Joystick UP	Joystick UP	Joystick UP	W
Joystick LEFT	Joystick LEFT	Joystick LEFT	Joystick LEFT	Joystick LEFT	A
Joystick RIGHT	Joystick RIGHT	Joystick RIGHT	Joystick RIGHT	Joystick RIGHT	D
Joystick DOWN	Joystick DOWN	Joystick DOWN	Joystick DOWN	Joystick DOWN	S
L3	L3	L3	L3	L3	Shift
F	X	□	□	X	F
SPACE	A	×	×	A	Space
C	B	O	O	B	C
R	Y	△	△	Y	R
Mouse Middle Button	R3	R3	R3	R3	Mouse Middle Button
E	R1	R1	R1	R1	E
Mouse Left Button	ZR	R2	R2	R2	Mouse Left Button
Tab	-	Select	Options	□	Tab
Caps +	+	Start	Touchpad	■	Caps
-	Capture	W/O	Share	W/O	-
Shift	L3	L3	L3	L3	Shift
Q	L1	L1	L1	L1	Q
Mouse Right Button	ZL	L2	L2	LT	Mouse Right Button
Esc	HOME	PS	PS	HOME	Esc