

# ICE BLACK

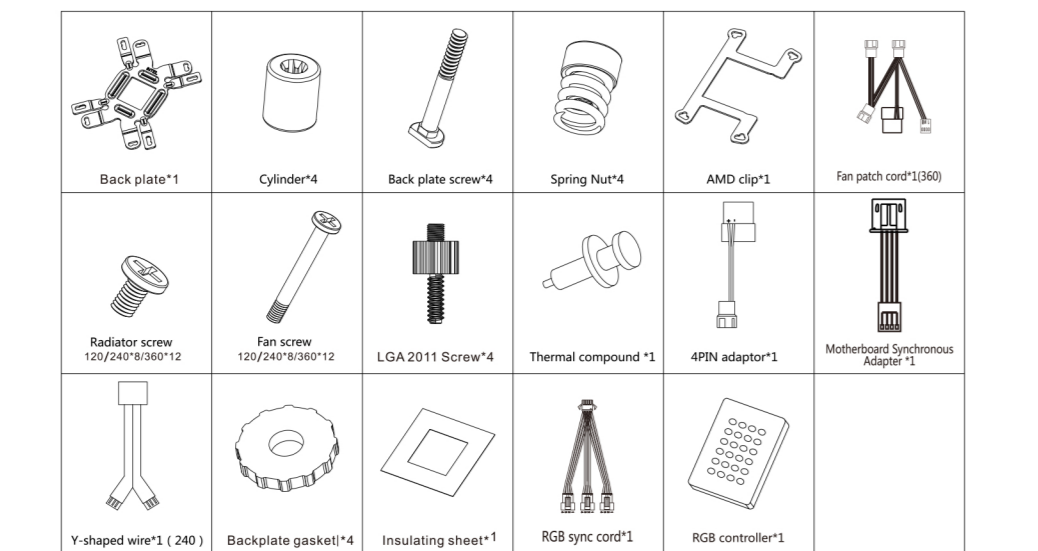
## user manuel



Support : Intel Socket LGA775/1155/1156/1151/1366/2011( Core i3/ i5/i7 CPU ),AMD Socket FM2 / FM1 /AM3+ / AM3 / AM2+ /AM2 /AM4 CPU

Please read the following instructions and terms in detail before using

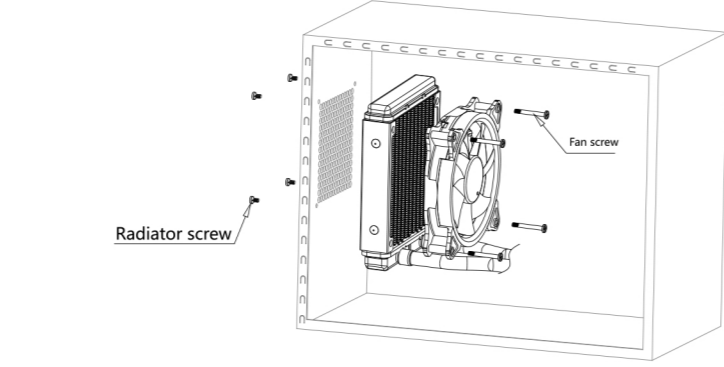
Product Specification		
Model:	Specification	
Water block	Size	58*58*47.3mm
	Material	Copper/ Engineering plastic
Water pump	Voltage	12V
	Speed	27000±10%RPM
	Bearing	Ceramic
Radiator	Size	155/275/394*120*27mm(T120/240/360)
	Material	Aluminum
	Color	Black



1

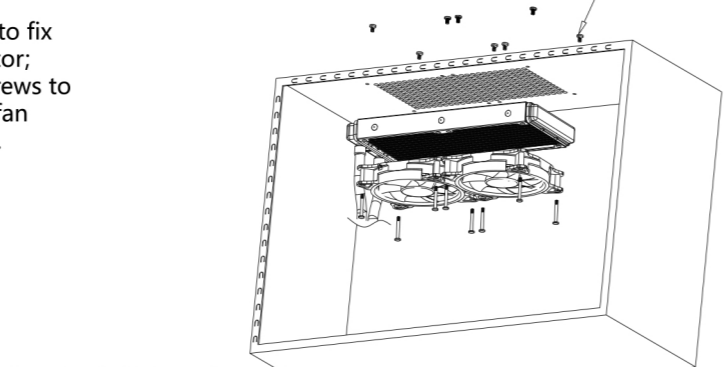
### T120 radiator and fan installation instruction

- Take 4 fan screws to fix the fans on the radiator;
- Take 4 radiator screws to fix the radiator with fan installed on the case.



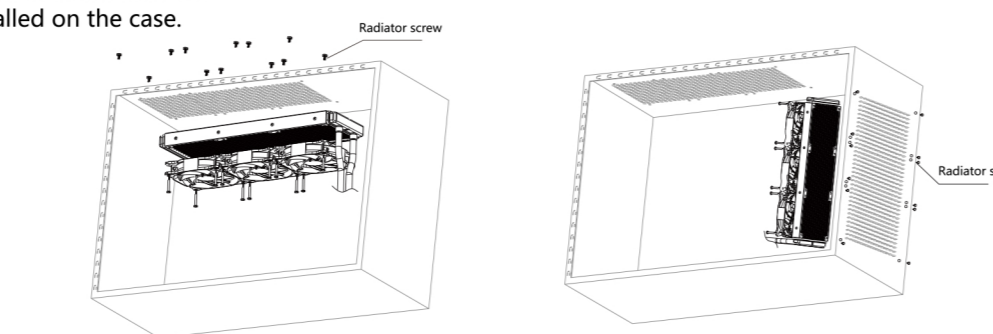
### T240 radiator and fan installation instruction

- Take 8 fan screws to fix the fans on the radiator;
- Take 8 radiator screws to fix the radiator with fan installed on the case.



### T360 radiator and fan installation instruction

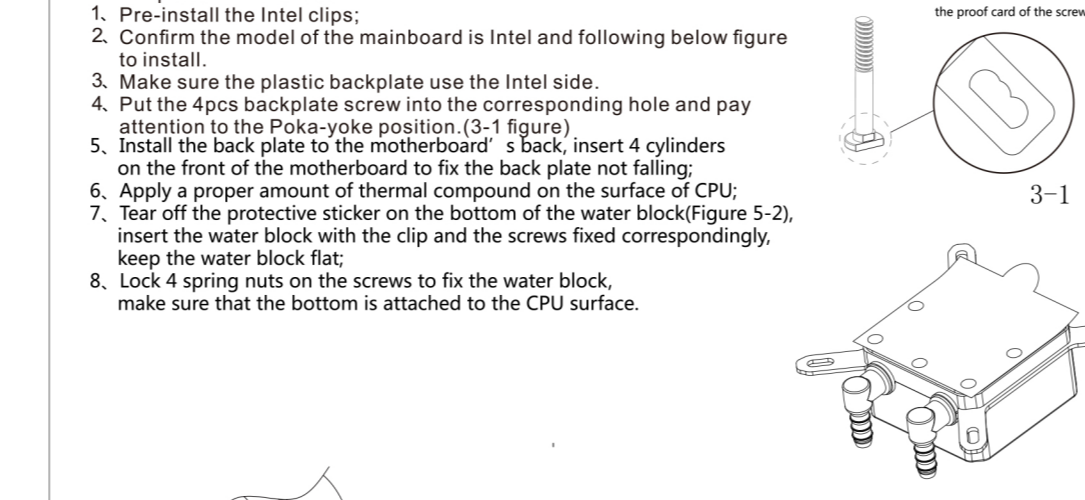
- Take 12 fan screws to fix the fans on the radiator;
- Take 12 radiator screws to fix the radiator with fan installed on the case.



2

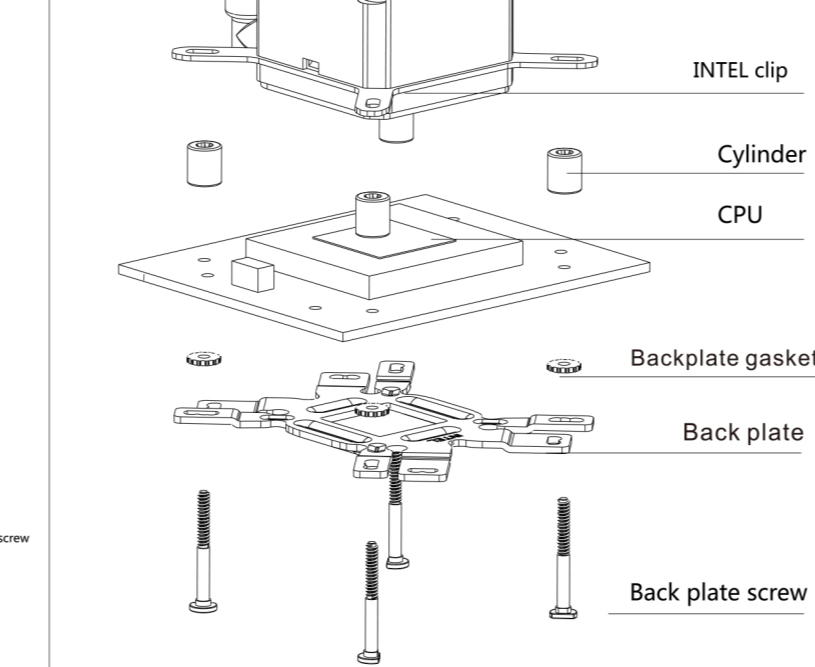
### INTEL platform installation

- Pre-install the Intel clips;
- Confirm the model of the mainboard is Intel and following below figure to install.
- Make sure the plastic backplate use the Intel side.
- Put the 4pcs backplate screw into the corresponding hole and pay attention to the Poka-yoke position. (3-1 figure)
- Install the back plate to the motherboard's back, insert 4 cylinders on the front of the motherboard to fix the back plate not falling;
- Apply a proper amount of thermal compound on the surface of CPU;
- Tear off the protective sticker on the bottom of the water block(Figure 5-2), insert the water block with the clip and the screws fixed correspondingly, keep the water block flat;
- Lock 4 spring nuts on the screws to fix the water block, make sure that the bottom is attached to the CPU surface.



### INTEL, AMD bracket installation

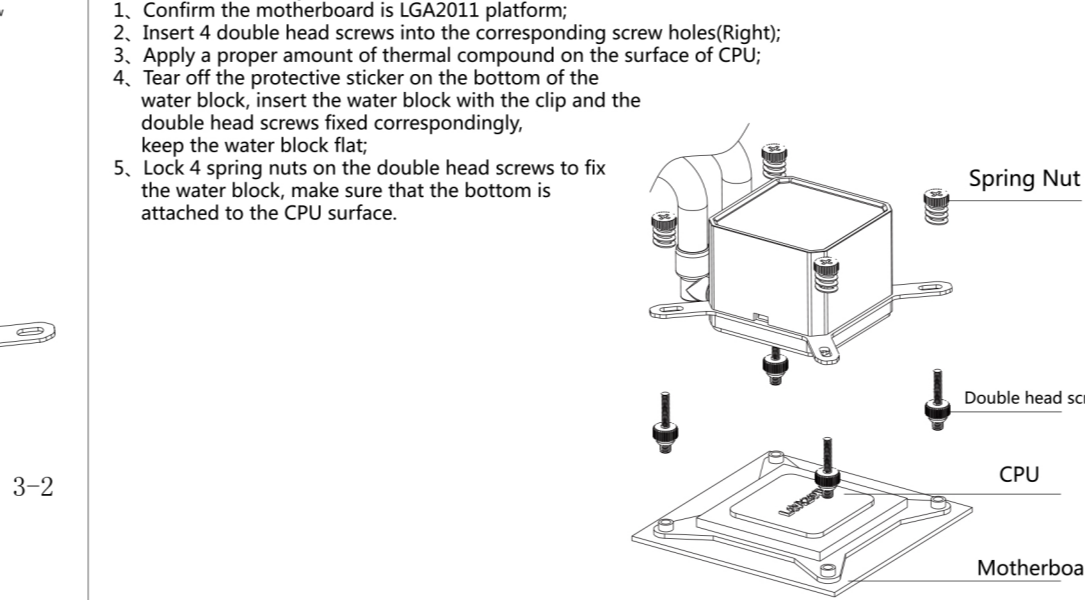
- Confirm the model of the motherboard is AMD, select the corresponding AMD bracket, install as shown in the following figure;
- Push the bracket along the card slot into the bottom, don't need screws to fix the bracket.



3

### INTEL LGA2011 platform installation

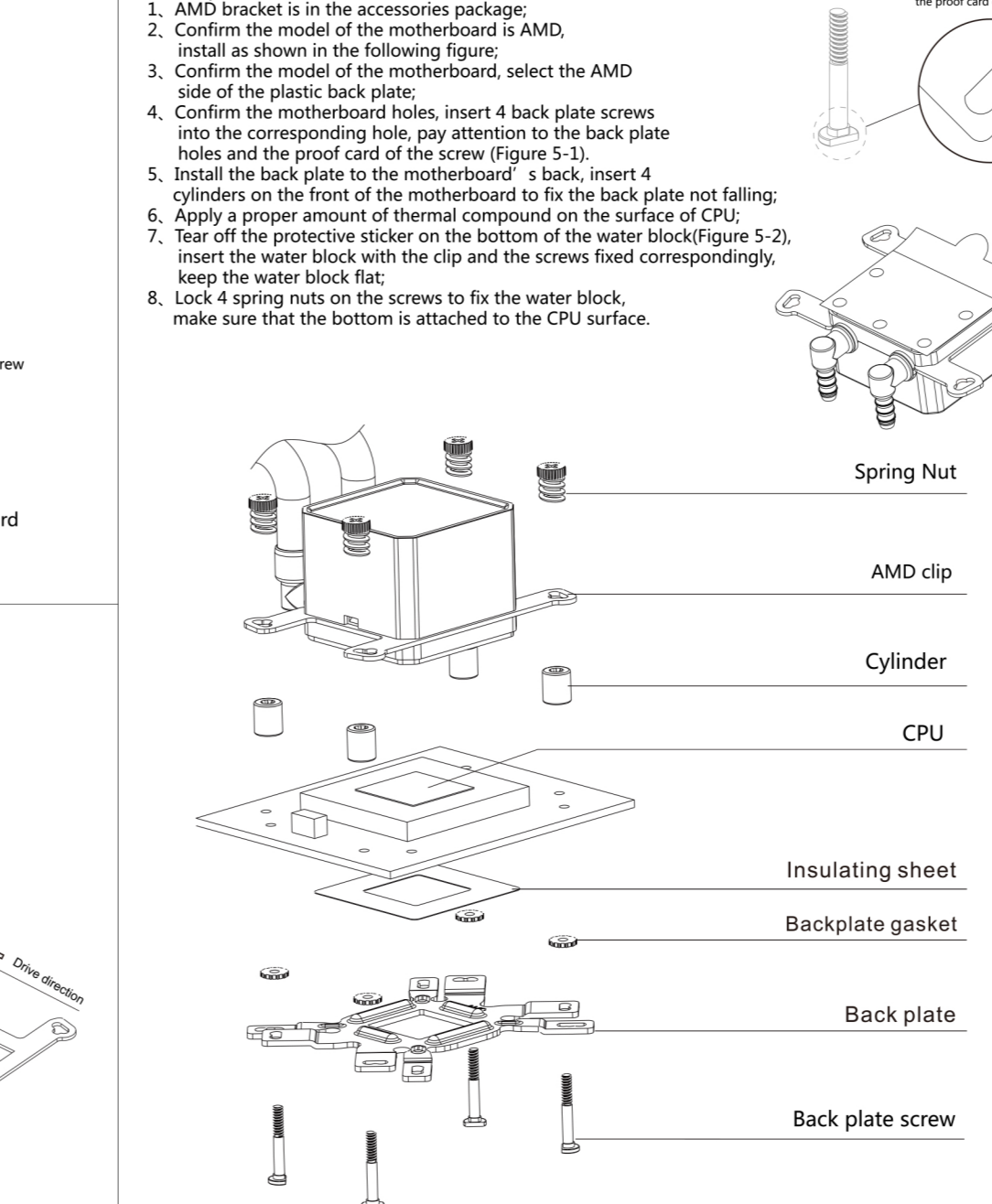
- Confirm the motherboard is LGA2011 platform;
- Insert 4 double head screws into the corresponding screw holes(Right);
- Apply a proper amount of thermal compound on the surface of CPU;
- Tear off the protective sticker on the bottom of the water block, insert the water block with the clip and the double head screws fixed correspondingly, keep the water block flat;
- Lock 4 spring nuts on the double head screws to fix the water block, make sure that the bottom is attached to the CPU surface.



4

### AMD platform installation

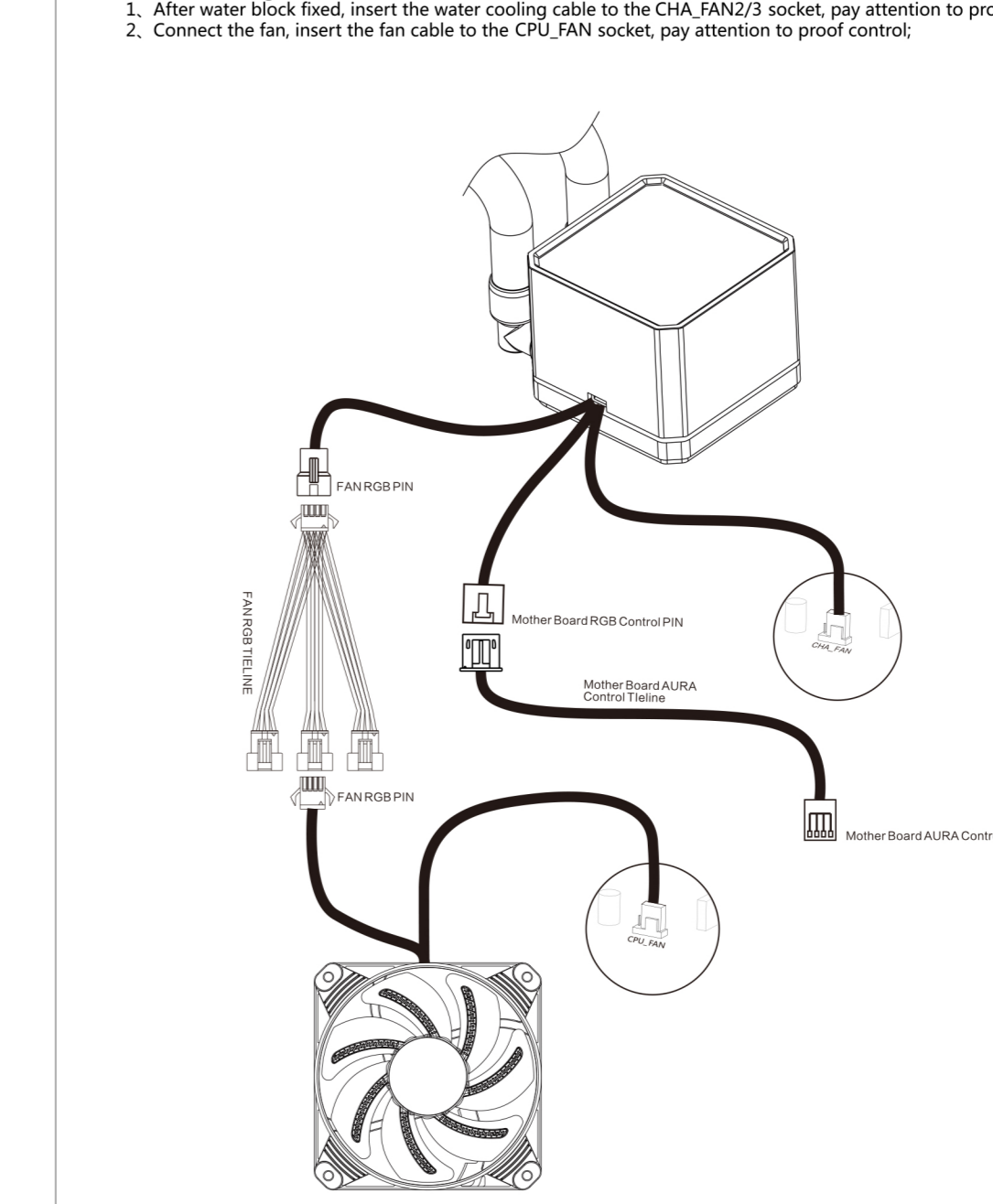
- AMD bracket is in the accessories package;
- Confirm the model of the motherboard is AMD, install as shown in the following figure;
- Confirm the model of the motherboard, select the AMD side of the plastic back plate;
- Confirm the motherboard holes, insert 4 back plate screws into the corresponding hole, pay attention to the back plate holes and the proof card of the screw (Figure 5-1).
- Install the back plate to the motherboard's back, insert 4 cylinders on the front of the motherboard to fix the back plate not falling;
- Apply a proper amount of thermal compound on the surface of CPU;
- Tear off the protective sticker on the bottom of the water block(Figure 5-2), insert the water block with the clip and the screws fixed correspondingly, keep the water block flat;
- Lock 4 spring nuts on the screws to fix the water block, make sure that the bottom is attached to the CPU surface.



5

### Connect using after installation

- After water block fixed, insert the water cooling cable to the CHA\_FAN2/3 socket, pay attention to proof control;
- Connect the fan, insert the fan cable to the CPU\_FAN socket, pay attention to proof control;



6

Use the remote controller to adjust the LED light color / light effects.

